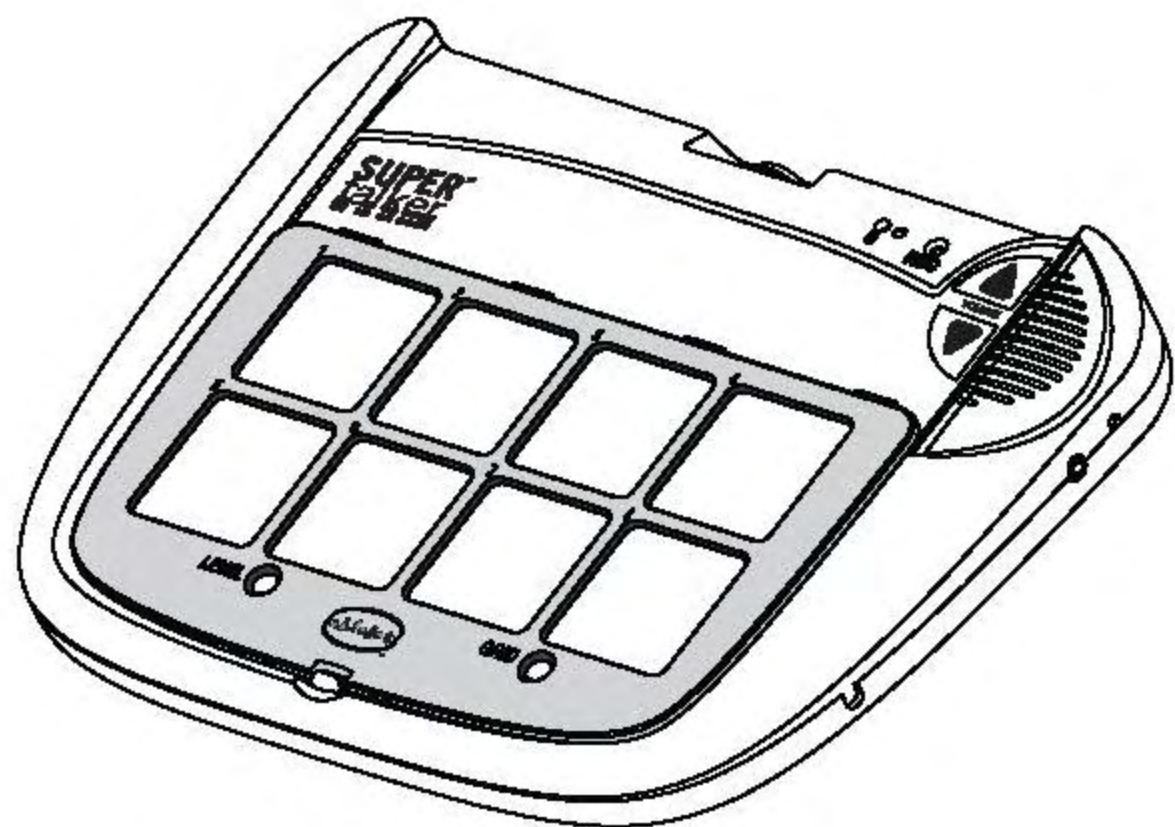


Quickstart Guide:
SuperTalker™ progressive communicator

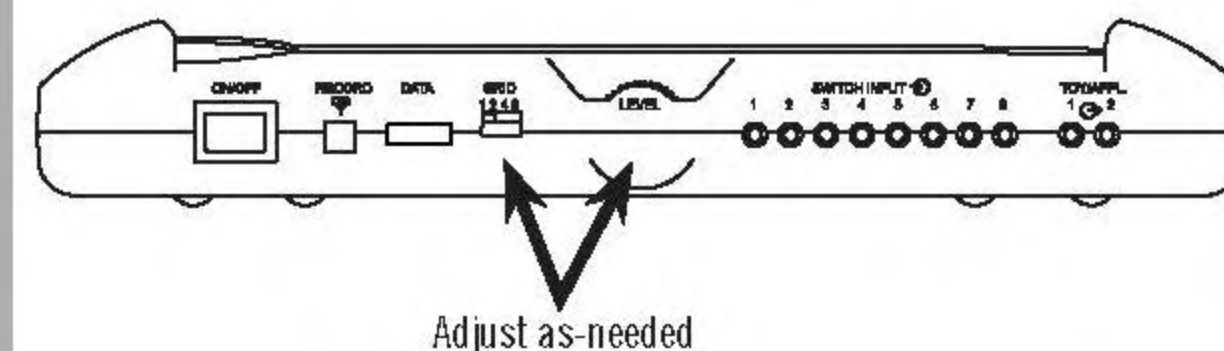


1 Powering SuperTalker



Insert four AA batteries into the device as shown. Power On/Off is located on the spine of the device.

2 Select Level and Grid

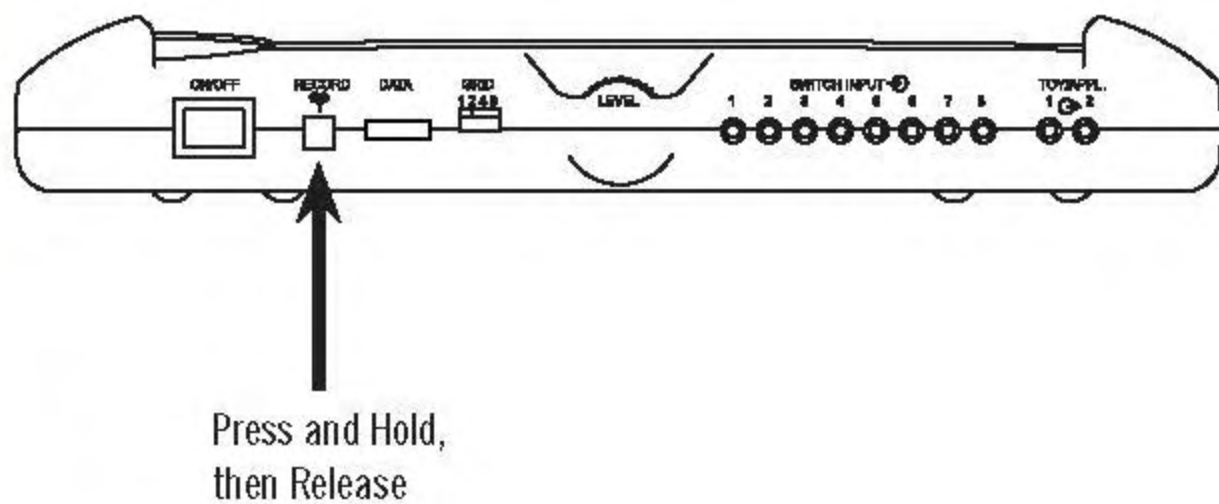


With the desired Overlay and Keyguard in place:
Select a LEVEL (1-8) and Grid (1, 2, 4, 8) using the controls on the spine of the device.

NOTE: Be sure to match the Grid number to the Keyguard and Overlay currently installed on the device.

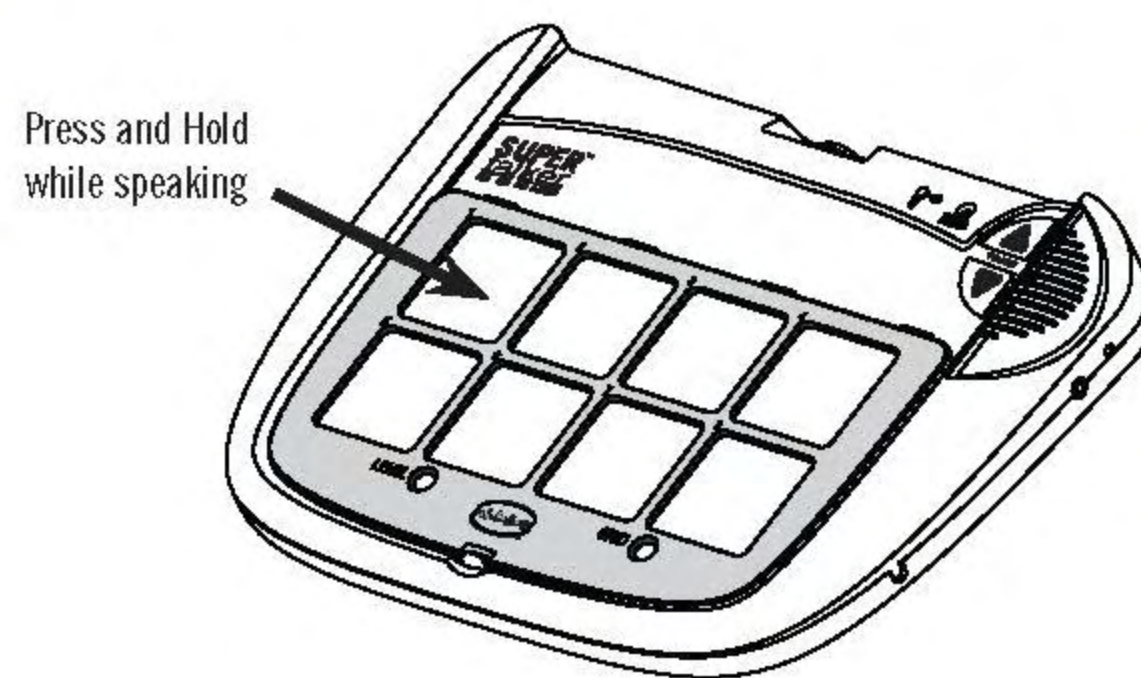
For information on Overlays, Keyguards and Helpful Tips, see reverse.

3 Enter Record Mode



Press and Hold the RECORD button until the RECORD Light activates, then Release.

4 Record Messages



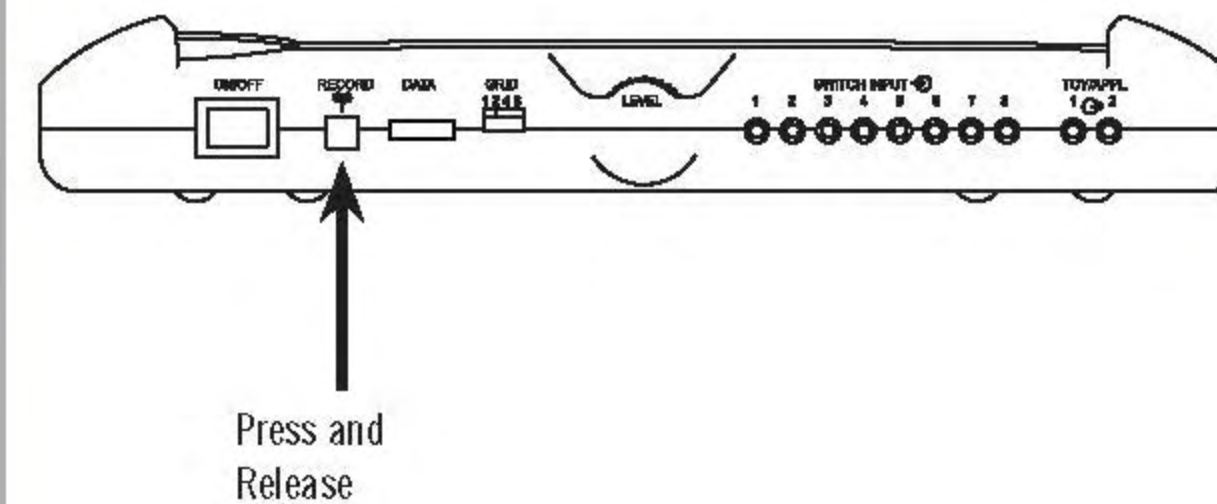
Press and Hold the desired Message location, begin speaking when you hear a beep. Release when finished.

Repeat for additional messages.

RECORD Light will flash while recording.

NOTE: Speak close to the microphone for loud, clear sound.

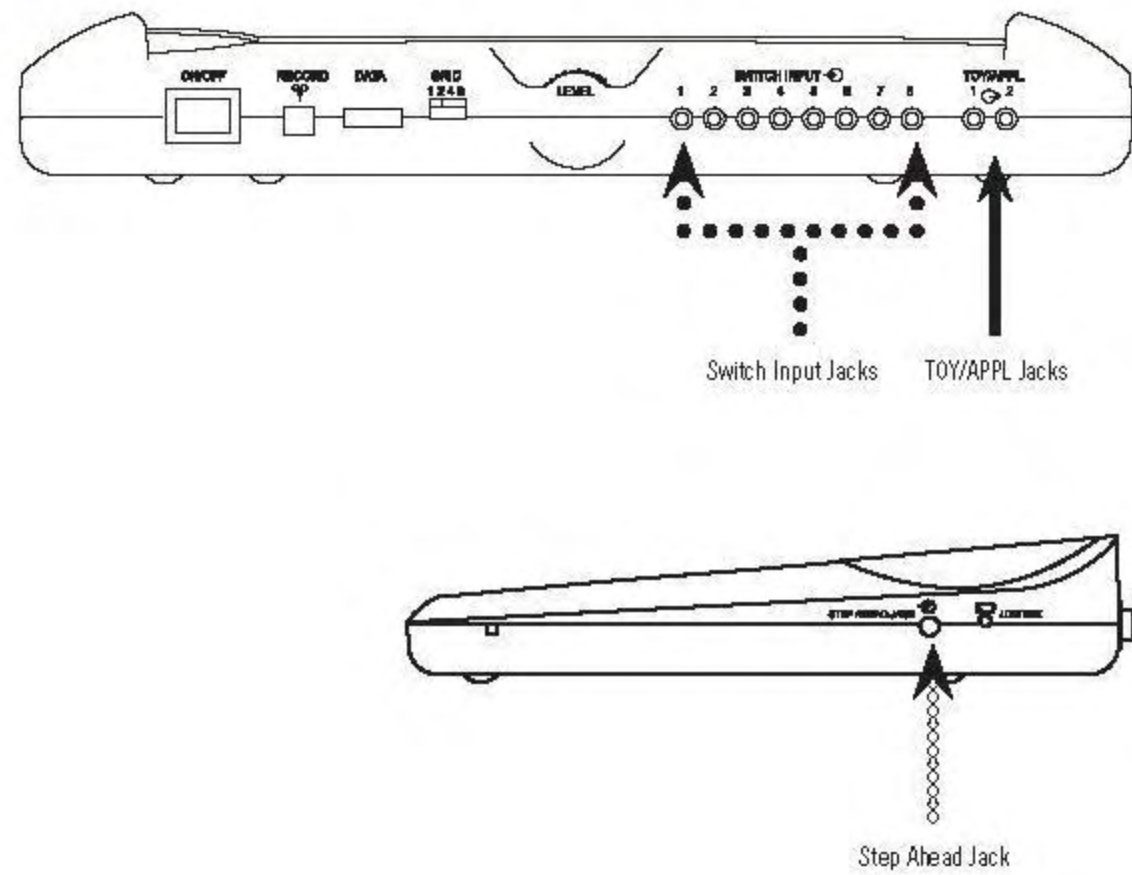
5 Exit Record Mode



Press and Release the RECORD button to exit Record Mode.

NOTE: This device has 16 minutes of total recording time. The RECORD Light will turn yellow when only two minutes remain.

Advanced Features



Playing a message with an External Switch

Attach the switch of your choice with a 1/8-inch (3.5mm) to the Switch Input jacks and continue to use the device as before. (Jacks indicated with ●●●●●●)

NOTE: Switch Input jacks are mapped to message locations 1 - 8 from left to right, depending on the grid used.

Controlling Toys or Appliances

Plug any switch-adapted toy or appliance into the TOY/APPL jack. When the SuperTalker is activated, the attached toy or appliance will activate for the length of the recorded message. (Jacks indicated with ————)

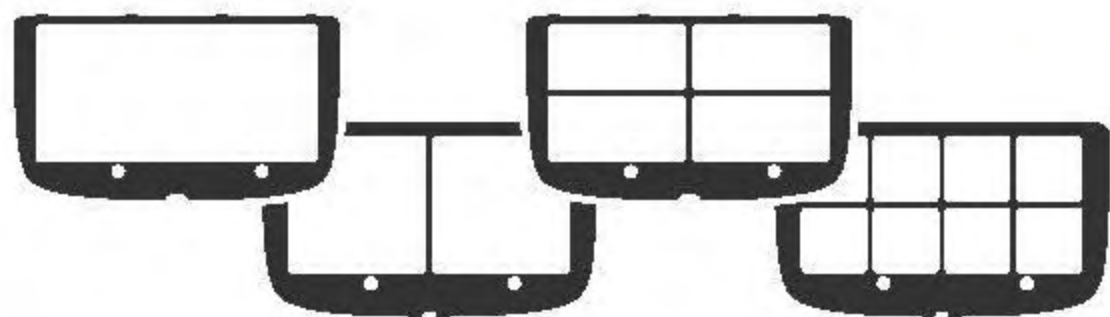
NOTE: TOY/APPL jacks are mapped to the first two message locations on the SuperTalker. To control an electrical appliance, a PowerLink® 3 is required. For information about adapting toys and appliances, visit www.ablenetinc.com

Using the Step Ahead jack

Plug the switch of your choice into the Step Ahead jack to access the messages, in-order from location 1 - 8. (Jacks indicated with ○○○○○○○○)

NOTE: Step Ahead jack will move through the message locations based on the Grid selected.

Keyguards and Overlays



About Keyguards

SuperTalker includes keyguards in 1, 2, 4, and 8-grid formats. Release the installed keyguard by pressing on the tab holding the bottom center of the keyguard. Small numbers at the top of each message location correspond to the External Switch jacks (see above).

Keyguard Storage

The keyguard storage area on the back of SuperTalker can hold up to three keyguards at once. Plain paper overlays may be stored here as well.

Blank Overlays

Blank overlays for SuperTalker are available on-line

Helpful Hints

Recording Tips

While in Record Mode, if the SuperTalker is not activated after 20 seconds, the device will exit Record Mode.

Master Clear - Press and hold the RECORD button for 10 seconds to delete all messages from SuperTalker.

Playback Tips

If the Keyguard in-use does not match the Grid selected, SuperTalker will not play the correct message.

If you press a message location where no message has been recorded, the RECORD Light will flash yellow.

Volume Controls

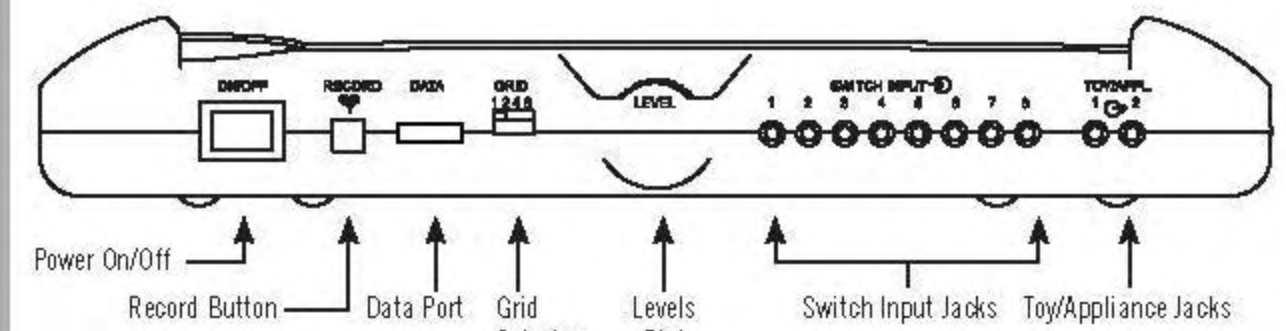
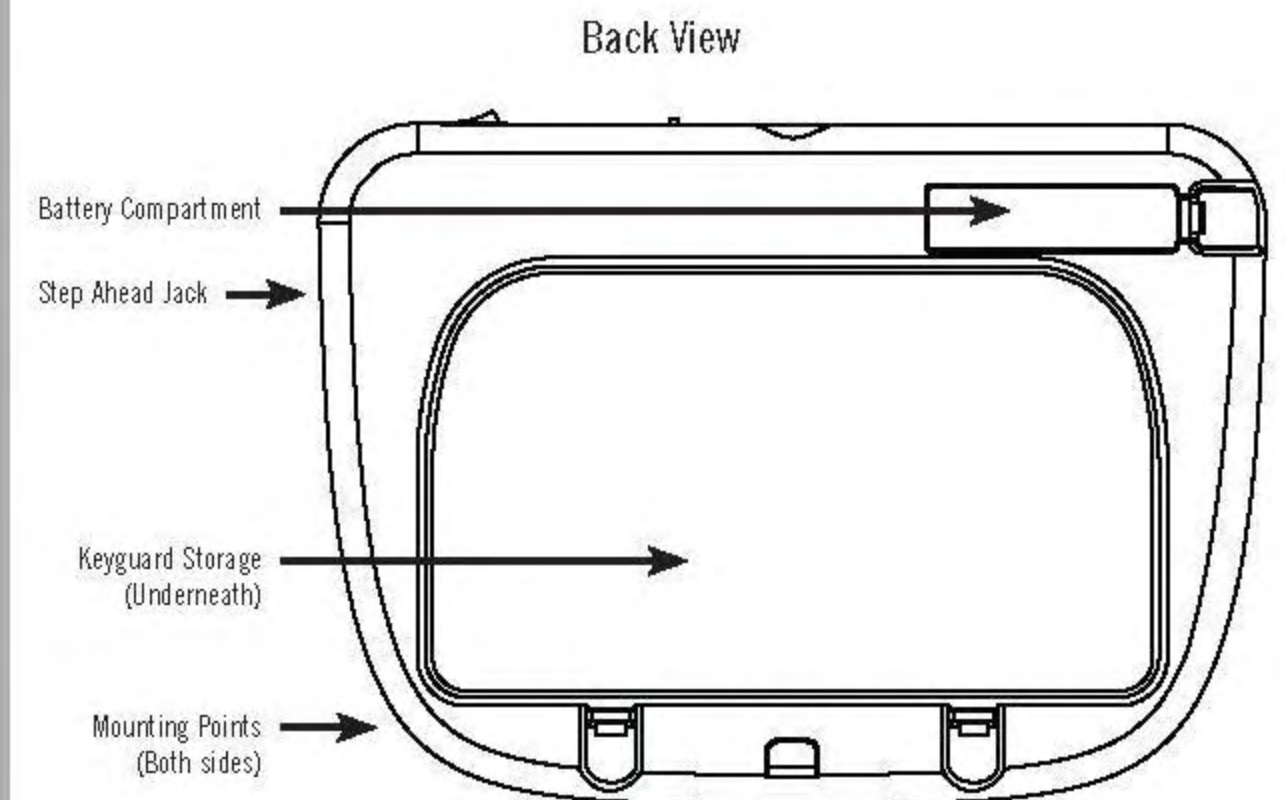
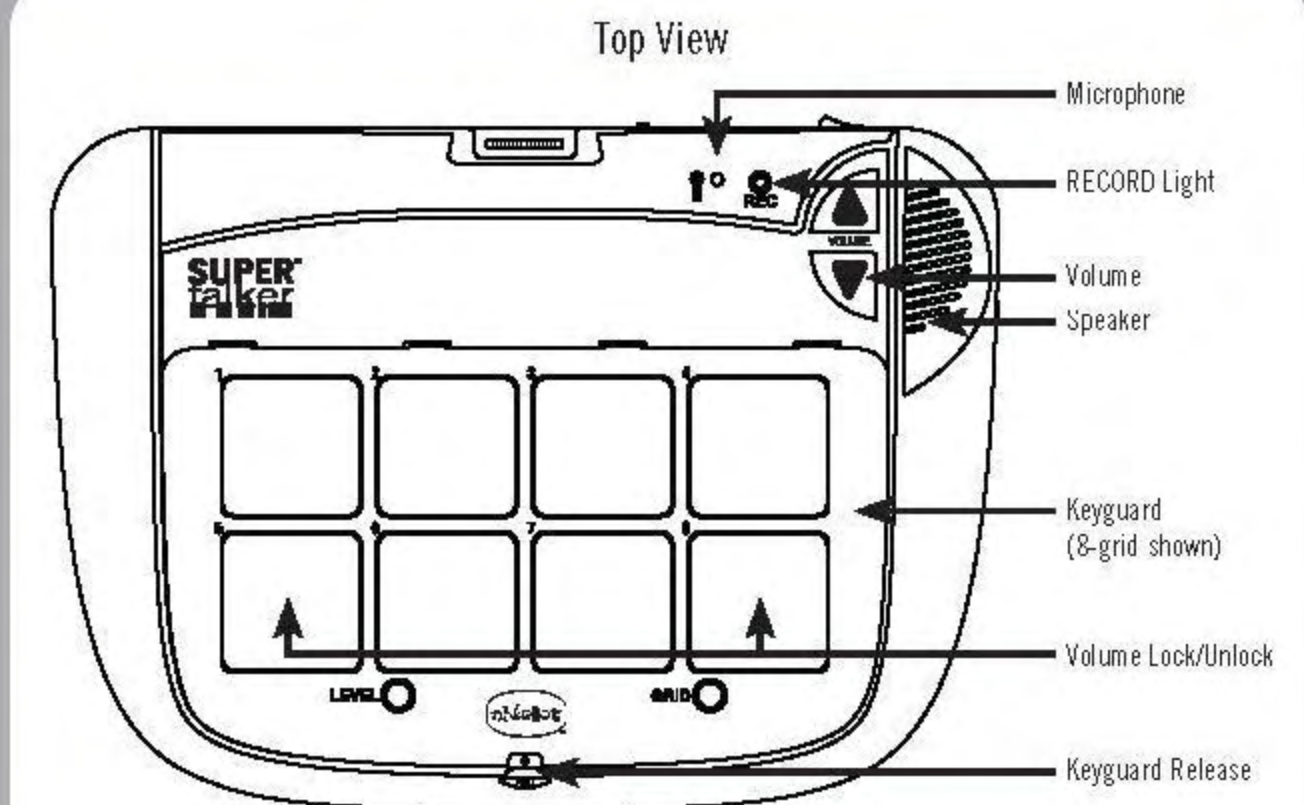
Lock or Unlock SuperTalker's Volume controls by pressing the bottom left and right message locations simultaneously.

When adjusting volume,
 RECORD Light Yellow – Volume unlocked
 RECORD Light Red – Volume locked or max/min

Mounting Options

A range of mounting options are available for SuperTalker

Product Map and Warranty



Warranty/Repair/Return Information

AbleNet offers a limited one-year warranty on the SuperTalker progressive communicator product.